

Product Brief

GPS Module based on SiRF Star IV Chipset

June 2010

Rev. 1.0

For the latest datasheets, please visit the Extranet Portal at <http://www.wi2wi.com/mgr/>

General Description

This specification provides a general guideline on the performance and the integration of the Wi2Wi Inc. 48 Channel GPS Receiver Module Solution. The new solder-down module, based on SiRF Star IV Chipset is a drop in replacement for the W2SG0004, is targeted to assist companies to easily integrate GPS functionally into their products. This is accomplished by reducing their development times and cost by using a complete, small form factor, low power, ready to integrate GPS Receiver System Solution.

Features

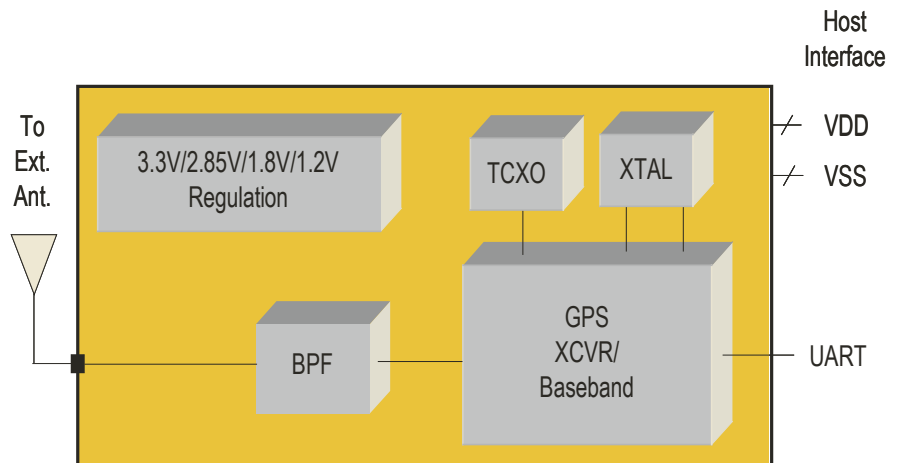
- Pin Compatible Replacement for W2SG0004
- GPS technology based upon by the CSR/SiRF™ SiRFStar IV™
- Compact design for easy integration: 11.2mm x 12mm x 2.5mm
- Ultra-low power consumption
- High sensitivity navigation engine (PVT) tracks as low as -163dBm
- 50Ω Antenna Launch
- 48 verification channel GPS receiver
- Active Jammer Remover:
 - Removes in-band jammers up to 80 dB-Hz
 - Tracks up to 8 CW jammers
- SBAS (WAAS or ENGOS) support
- Single 3.3 VDC supply input
- Configurable UART Interface
- Format Selectable Output Data: NMEA, SiRFBinary™ and OSP
- RoHS Compliant

Target Specifications

- Package Dimensions
11.2mm(L) x 12mm(W) x 2.5mm(H)
- Input Power
Supply Voltage : 3.3V
Peak Current : 50 mA
- Temperature Range
-30° C to + 85° C
- Input/Output
UART
- Acquisition Time
Hot Start TTFF @ -136 dBm: 0.6 sec
- Receiver Sensitivity
Min. Acquisition Signal: -153 dBm
- Timing Accuracy
- 1 PPS : 1 μS
- Position Accuracy (3D-NAV)
Stationary Horizontal (AV): 3m

Applications

- Personal Navigation Devices (PNDs)
- Mobile Internet Devices
- Smart Phones
- Gaming Systems
- Asset Tracking
- Personnel Locators
- UAVs
- Personal Digital Assistants (PDAs)
- POS Terminals
- Logistics Management Terminals



The preliminary specification is intended for advance information only, and is subject to change without notification.